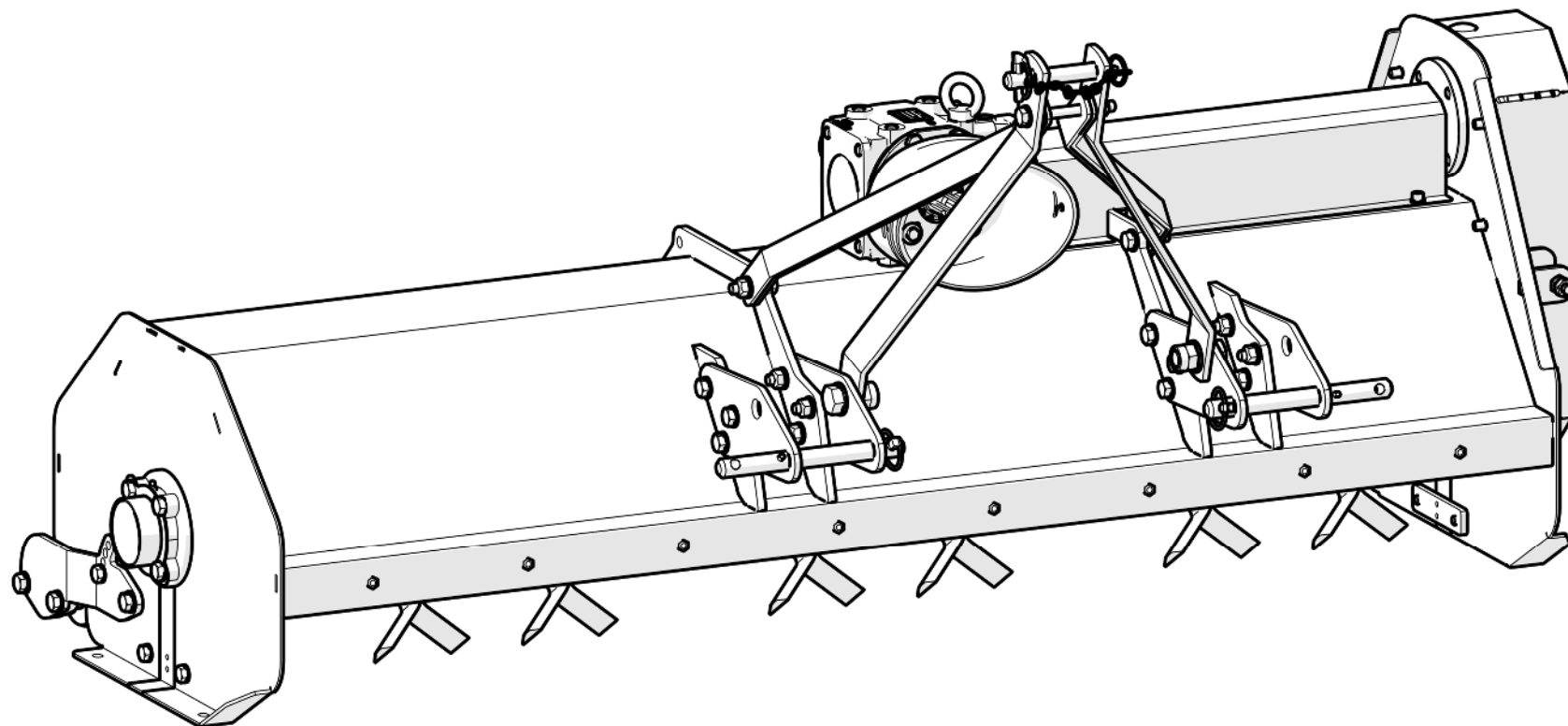


Del Morino®

FARM & GARDEN EQUIPMENT



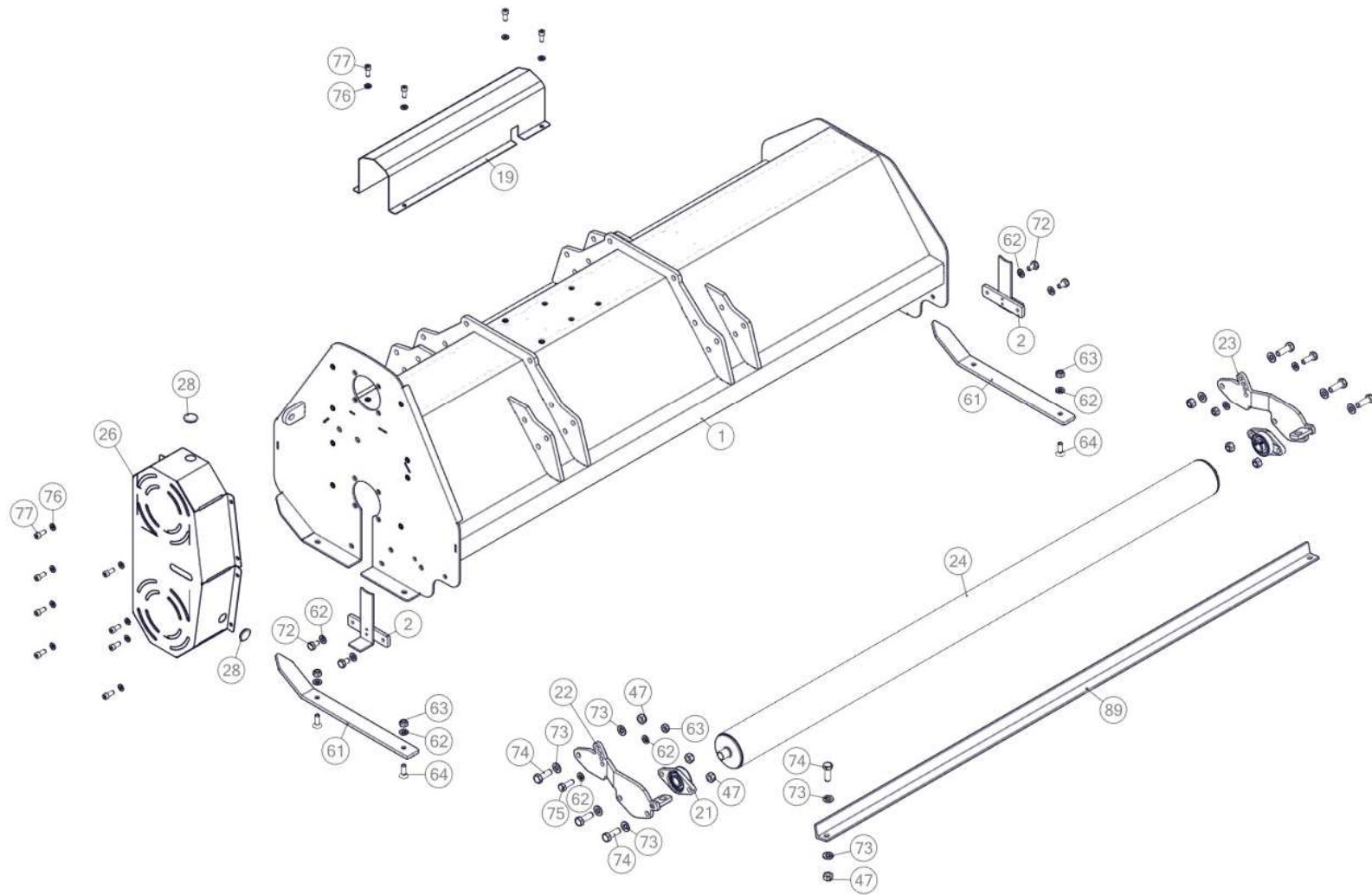
FLAIL MOWER DISCO



SPL-DISCO-EN-R2023.03- SPARE PARTS MANUAL: DISCO

L01

METAL SHEETS

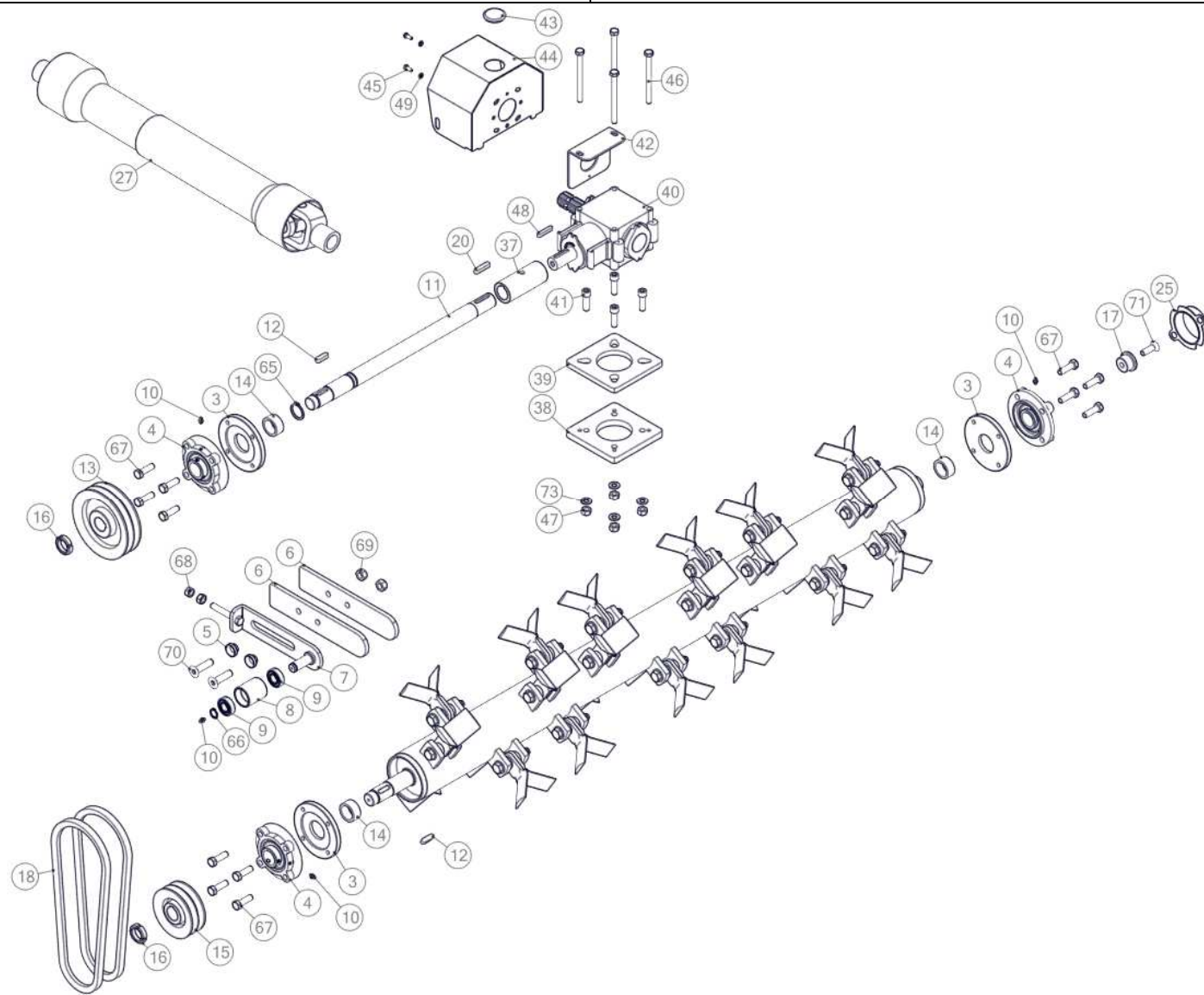


L01		FLAIL MOWER DISCO	96	115	125	145	165
ID	P/N	DESCRIPTION	Q.TY	Q.TY	Q.TY	Q.TY	Q.TY
1	DIV053AVD	FRAME 95	1				
1	DIV053BVD	FRAME 115		1			
1	DIV053CVD	FRAME 125			1		
1	DIV053DVD	FRAME 145				1	
1	DIV053EVD	FRAME 165					1
2	DIV052VD	PLUG	2	2	2	2	2
19	DIV156AVD	SHAFT COVER 96	1				
19	DIV156BVD	SHAFT COVER 115		1			
19	DIV156CVD	SHAFT COVER 125			1		
19	DIV156DVD	SHAFT COVER 145-165				1	1
21	42400005	SUPPORT WITH BEARING	2	2	2	2	2
22	DIV061VD	LEFT ROLLER SUPPORT	1	1	1	1	1
23	DIV062VD	RIGHT ROLLER SUPPORT	1	1	1	1	1
24	URC058BVD	LEVELLING ROLLER 115		1			
24	URC058CVD	LEVELLING ROLLER 145				1	
24	URC058DVD	LEVELLING ROLLER 165					1
24	URC058FVD	LEVELLING ROLLER 96	1				
24	URC058GVD	LEVELLING ROLLER 125			1		
26	DIV157VD	BELT COVER	1	1	1	1	1
28	42500048	PLUG	2	2	2	2	2
47	40200006	NUT	19	19	19	19	19
61	DIV182VD	SKID	2	2	2	2	2
62	40300003	WASHER	12	12	12	12	12
63	40200003	NUT	6	6	6	6	6
64	40100149	SCREW	4	4	4	4	4
72	40100281	SCREW	4	4	4	4	4
73	40300004	WASHER	30	30	30	30	30
74	40100015	SCREW	6	6	6	6	6
75	40100012	SCREW	2	2	2	2	2

L01		FLAIL MOWER DISCO	96	115	125	145	165
ID	P/N	DESCRIPTION	Q.TY	Q.TY	Q.TY	Q.TY	Q.TY
76	40300002	WASHER	12	12	12	12	12
77	40100001	SCREW	12	12	12	12	12
89	URC195BVD	SCRAPER 115		1			
89	URC195CVD	SCRAPER 145				1	
89	URC195DVD	SCRAPER 165					1
89	URC195GVD	SCRAPER 96	1				
89	URC195HVD	SCRAPER 125			1		

M01

MECHANISMS ALUMINUM GEARBOX



M01		FLAIL MOWER DISCO	96	115	125	145	165
ID	P/N	DESCRIPTION	Q.TY	Q.TY	Q.TY	Q.TY	Q.TY
3	DIV197VD	FLANGE	3	3	3	3	3
4	42400018	SUPPORT WITH BEARING	3	3	3	3	3
5	DIV175ZD	TENSIONER BUSH	2	2	2	2	2
6	DIV163VD	GAUGE	2	2	2	2	2
7	URC111VD	TENSIONER	1	1	1	1	1
8	URC286D	BELT TENSIONER	1	1	1	1	1
9	41000007	BEARING	2	2	2	2	2
10	40600001	GREASER	4	4	4	4	4
11	URC164BD	TRANSMISSION SHAFT 115		1			
11	URC164CD	TRANSMISSION SHAFT 145-165				1	1
11	URC164ED	TRANSMISSION SHAFT 96	1				
11	URC164LD	TRANSMISSION SHAFT 125			1		
12	40500004	KEY	2	2	2	2	2
13	URC166D	PULLEY	1	1	1	1	1
14	DIV174D	BUSH	3	3	3	3	3
15	URC281D	PULLEY	1	1	1	1	1
16	40700001	METAL RING	2	2	2	2	2
17	DIV176ZD	LOCK	1	1	1	1	1
18	42800058	BELT	2	2	2	2	2
20	40500006	KEY	1	1	1	1	1
25	FRM103VD	PROTECTION	1	1	1	1	1
27	42600009	STANDARD PTO-SHAFT II CAT.	1	1	1	1	1
37	STZURC280D	TRANSMISSION JOINT	1	1	1	1	1
38	DIV159VD	LOWER GAUGE	1	1	1	1	1
39	DIV160VD	UPPER GAUGE	1	1	1	1	1
40	42000032	GEARBOX	1	1	1	1	1
41	40100182	SCREW	4	4	4	4	4
42	URC185VD	SUPPORT	1	1	1	1	1
43	42500022	PLUG	1	1	1	1	1

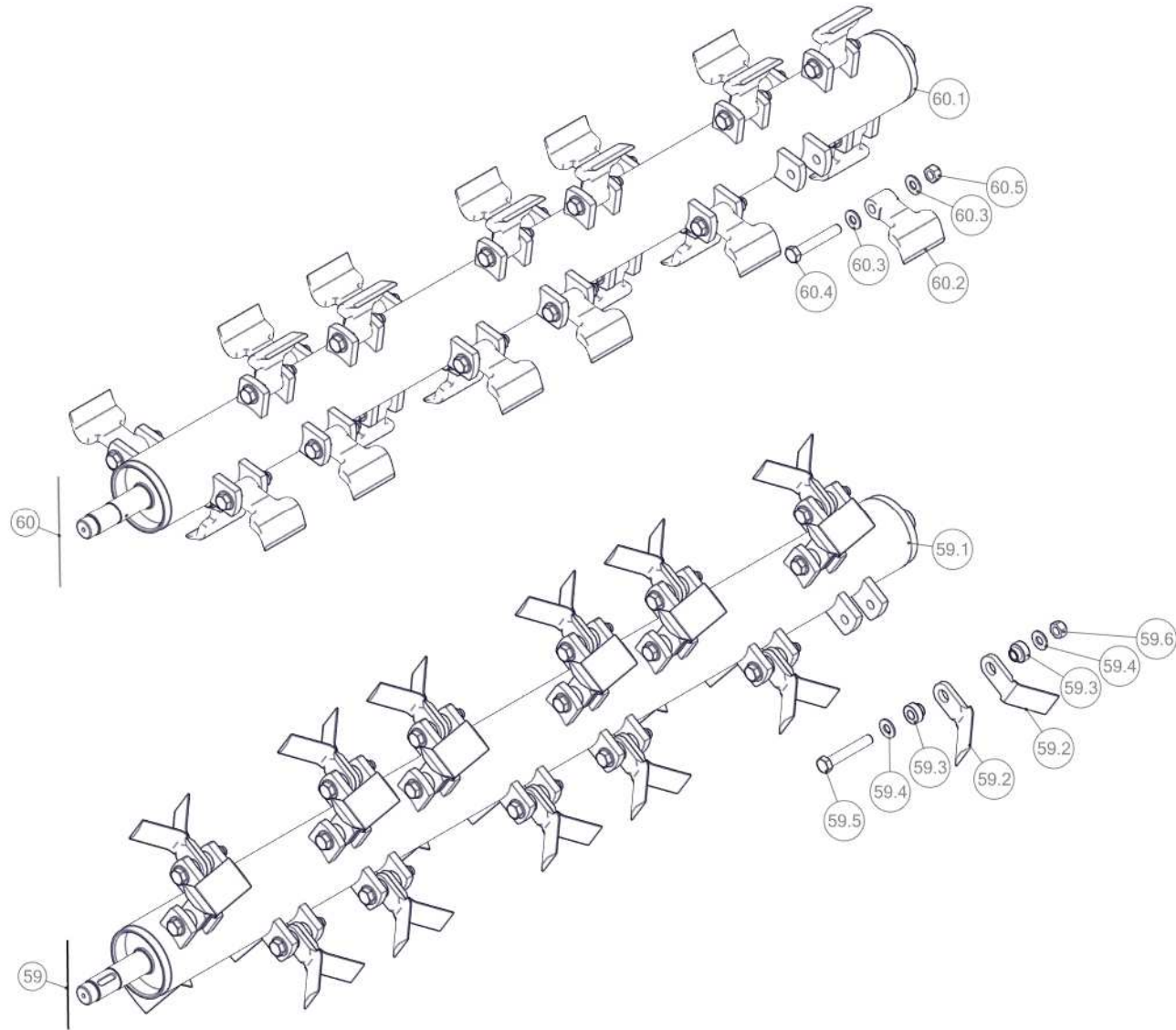
M01		FLAIL MOWER DISCO	96	115	125	145	165
ID	P/N	DESCRIPTION	Q.TY	Q.TY	Q.TY	Q.TY	Q.TY
44	URC296VD	PROTECTION	1	1	1	1	1
45	40100087	SCREW	2	2	2	2	2
46	40100108	SCREW	4	4	4	4	4
47	40200006	NUT	19	19	19	19	19
48	40500008	KEY	1	1	1	1	1
49	40300035	WASHER	2	2	2	2	2
65	40400013	SEEGER	1	1	1	1	1
66	40400009	SEEGER	1	1	1	1	1
67	40100023	SCREW	18	18	18	18	18
68	40200012	NUT	2	2	2	2	2
69	40200011	NUT	2	2	2	2	2
70	40100514	SCREW	2	2	2	2	2
71	40100314	SCREW	1	1	1	1	1
73	40300004	WASHER	30	30	30	30	30

M02		FLAIL MOWER DISCO	96	115	125	145	165
ID	P/N	DESCRIPTION	Q.TY	Q.TY	Q.TY	Q.TY	Q.TY
3	DIV197VD	FLANGE	3	3	3	3	3
4	42400018	SUPPORT WITH BEARING	3	3	3	3	3
5	DIV175ZD	BUSH TENSIONER	2	2	2	2	2
6	DIV163VD	GAUGE	2	2	2	2	2
7	URC111VD	TENSIONER	1	1	1	1	1
8	URC286D	BELT TENSIONER	1	1	1	1	1
9	41000007	BEARING	2	2	2	2	2
10	40600001	GREASER	4	4	4	4	4
11	URC164BD	TRANSMISSION SHAFT 115		1			
11	URC164CD	TRANSMISSION SHAFT 145-165				1	1
11	URC164ED	TRANSMISSION SHAFT 96	1				
11	URC164LD	TRANSMISSION SHAFT 125			1		
12	40500004	KEY	2	2	2	2	2
13	URC166D	PULLEY	1	1	1	1	1
14	DIV174D	BUSH	3	3	3	3	3
15	URC281D	PULLEY	1	1	1	1	1
16	40700001	METAL RING	2	2	2	2	2
17	DIV176ZD	LOCK	1	1	1	1	1
18	42800058	BELT	2	2	2	2	2
20	40500006	KEY	2	2	2	2	2
25	FRM103VD	PROTECTION	1	1	1	1	1
27	42600009	STANDARD PTO-SHAFT II CAT.	1	1	1	1	1
50	42500031	PLUG	7	7	7	7	7
51	40100201	EYE RING	1	1	1	1	1
52	42000031	GEARBOX	1	1	1	1	1
53	41900008	PROTECTION	1	1	1	1	1
54	41900007	PROTECTION	1	1	1	1	1
55	40300031	WASHER	8	8	8	8	8
56	40100011	SCREW	8	8	8	8	8

M02		FLAIL MOWER DISCO	96	115	125	145	165
ID	P/N	DESCRIPTION	Q.TY	Q.TY	Q.TY	Q.TY	Q.TY
57	40100014	SCREW	4	4	4	4	4
58	STZURC163D	TRANSMISSION JOINT	1	1	1	1	1
65	40400013	SEEGER	1	1	1	1	1
66	40400009	SEEGER	1	1	1	1	1
67	40100023	SCREW	18	18	18	18	18
68	40200012	NUT	2	2	2	2	2
69	40200011	NUT	2	2	2	2	2
70	40100514	SCREW	2	2	2	2	2
71	40100314	SCREW	1	1	1	1	1
73	40300004	WASHER	30	30	30	30	30

M03

ROTORS



M03		DISCO	96	115	125	145	165
ID	P/N	DESCRIPTION	Q.TY	Q.TY	Q.TY	Q.TY	Q.TY
59	URC087BVDC	COMPLETE ROTOR WITH Y-BLADES 115		1			
59	URC087CVDC	COMPLETE ROTOR WITH Y-BLADES 145				1	
59	URC087DVDC	COMPLETE ROTOR WITH Y-BLADES 165					1
59	URC087GVDC	COMPLETE ROTOR WITH Y-BLADES 96	1				
59	URC087HVDC	COMPLETE ROTOR WITH Y-BLADES 125			1		
59.1	URC087BVD	ROTOR 115		1			
59.1	URC087CVD	ROTOR 145				1	
59.1	URC087DVD	ROTOR 165					1
59.1	URC087GVD	ROTOR 96	1				
59.1	URC087HVD	ROTOR 125			1		
59.2	URC404D	Y-BLADE	28	32	36	40	48
59.3	TTSURC412D	SPACER	28	32	36	40	48
59.4	40300064	WASHER	28	32	36	40	48
59.5	40100204	SCREW	14	16	18	20	24
59.6	40200011	NUT	14	16	18	20	24
60	URC087BVDM	COMPLETE ROTOR WITH HAMMERS 115		1			
60	URC087CVDM	COMPLETE ROTOR WITH HAMMERS 145				1	
60	URC087DVDM	COMPLETE ROTOR WITH HAMMERS 165					1
60	URC087GVDM	COMPLETE ROTOR WITH HAMMERS 96	1				
60	URC087HVDM	COMPLETE ROTOR WITH HAMMERS 125			1		
60.1	URC087BVD	ROTOR		1			
60.1	URC087CVD	ROTOR				1	
60.1	URC087DVD	ROTOR					1
60.1	URC087GVD	ROTOR	1				
60.1	URC087HVD	ROTOR			1		
60.2	URC400D	HAMMER	14	16	18	20	24
60.3	40300064	WASHER	28	32	36	40	48
60.4	40100204	SCREW	14	16	18	20	24
60.5	40200011	NUT	14	16	18	20	24

T01		FLAIL MOWER DISCO 96-115-125 EUROPE	
ID	P/N	DESCRIPTION	Q.TY
30	URC303VD	3-POINT HITCH	2
31	DIV158VD	TIE ROD	2
32	URC304VD	BUSH	1
34	43700012	3-POINT PIN	1
36	41300001	SPRING PIN	2
47	40200006	NUT	19
67	40100023	SCREW	18
73	40300004	WASHER	30
80	DIV198VD	HITCH PLATE	4
81	HOL176ZD	LOWER HITCH PIN	2
83	42300001	SPRING PIN	2
85	40100442	SCREW	2
86	40200017	NUT	2
87	HOL210ZD	SPACER	2
88	40300007	WASHER	4
90	40100046	SCREW	1

T02

3-POINT HITCH 145-165 EUROPE

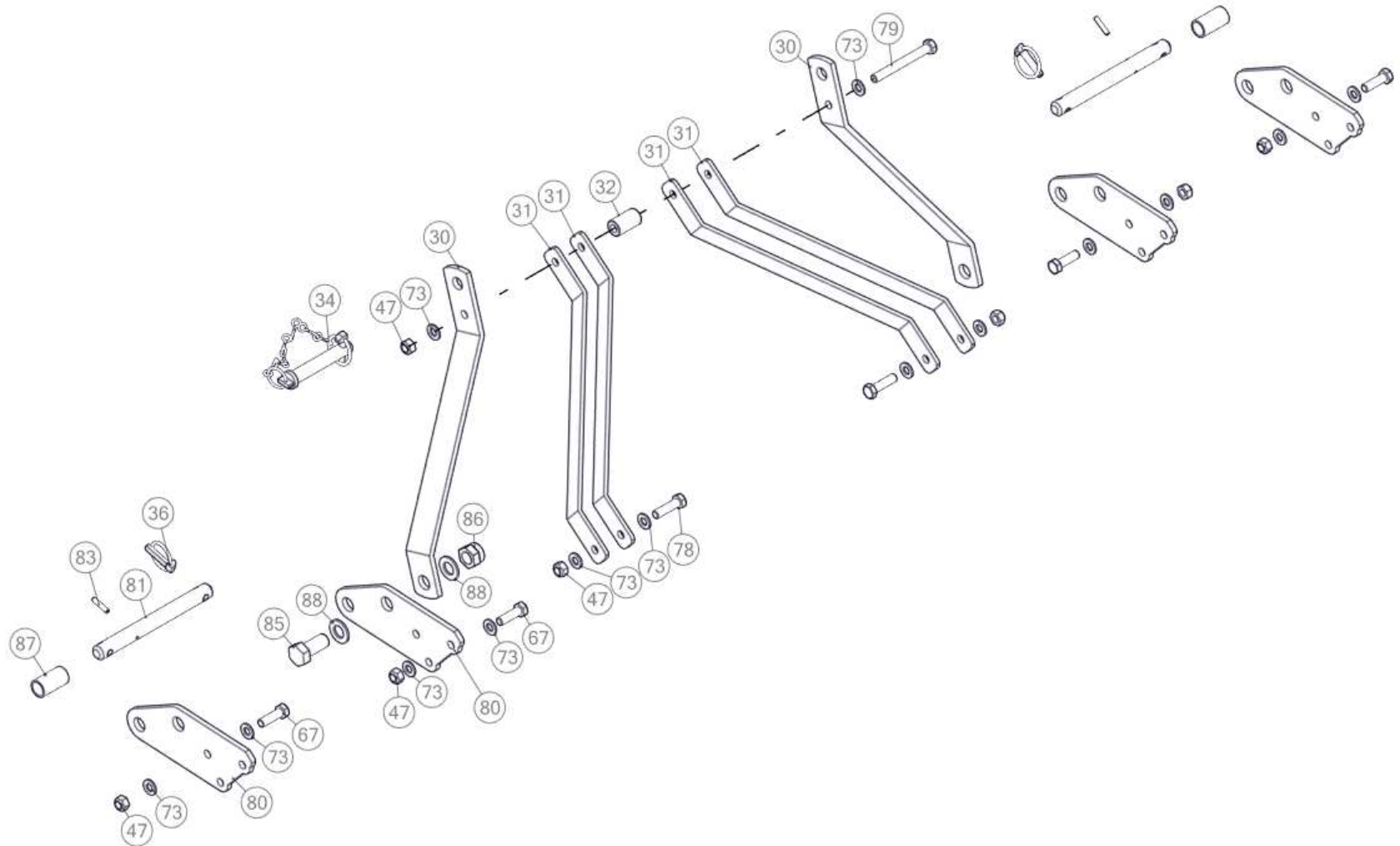
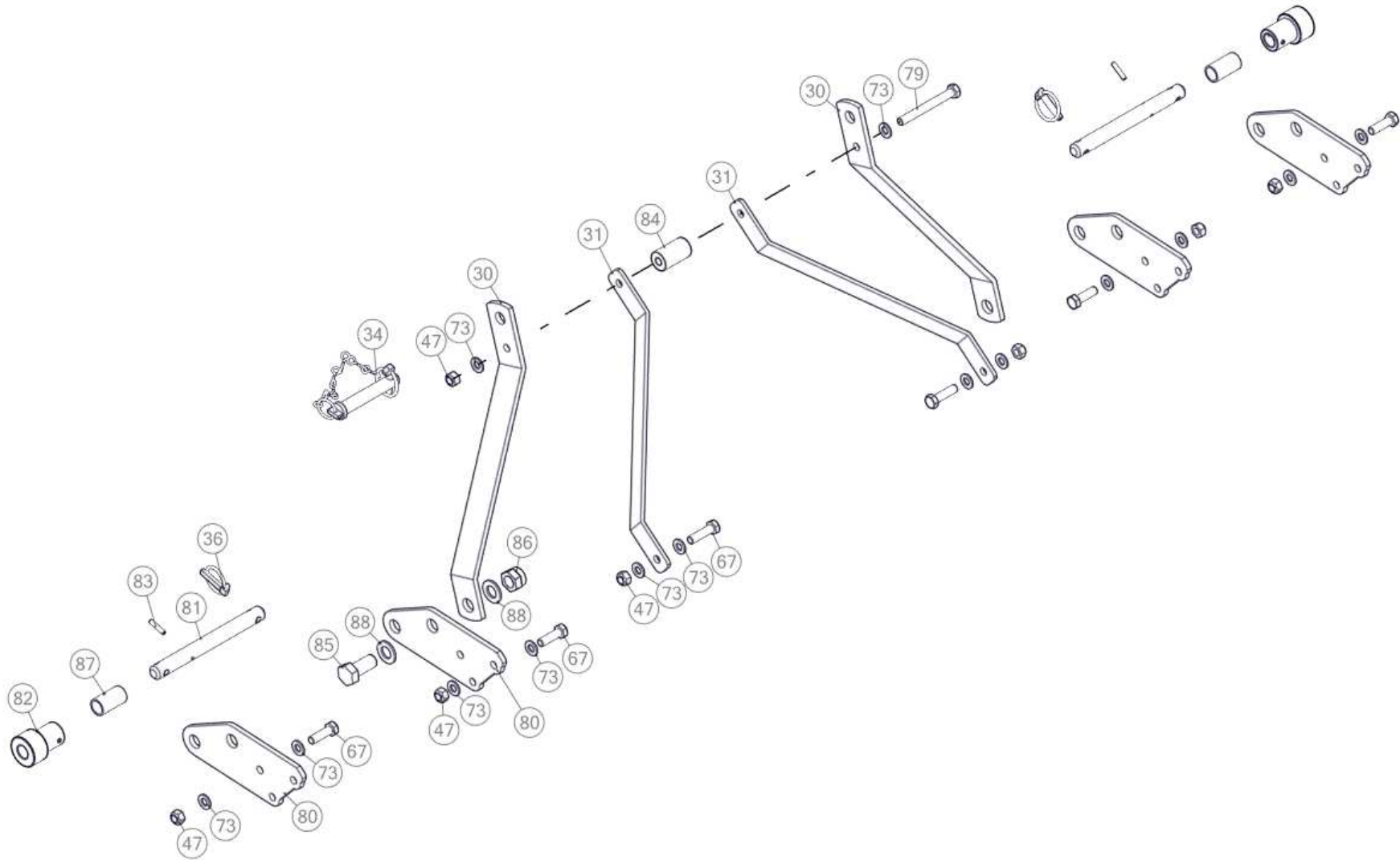


TABELLA T02		FLAIL MOWER DISCO 145-165 EUROPE	
ID	P/N	DESCRIPTION	Q.TY
30	URC303VD	3-POINT HITCH	2
31	DIV158VD	TIE ROD	4
32	URC304VD	BUSH	1
34	43700012	3-POINT PIN	1
36	41300001	SPRING PIN	2
47	40200006	NUT	19
67	40100023	SCREW	18
73	40300004	WASHER	30
78	40100061	SCREW	2
79	40100232	SCREW	1
80	DIV198VD	HITCH PLATE	4
81	HOL176ZD	LOWER HITCH PIN	2
83	42300001	SPRING PIN	2
85	40100442	SCREW	2
86	40200017	NUT	2
87	HOL210ZD	SPACER	2
88	40300007	WASHER	4

T03

3-POINT HITCH 96-115-125 USA



T03		FLAIL MOWER DISCO 96-115-125 USA	
ID	P/N	DESCRIPTION	Q.TY
30	URC303VD	3-POINT HITCH	2
31	DIV158VD	TIE ROD	2
34	43700012	3-POINT PIN	1
36	41300001	SPRING PIN	2
47	40200006	NUT	19
67	40100023	SCREW	18
73	40300004	WASHER	30
79	40100232	SCREW	1
80	DIV198VD	HITCH PLATE	4
81	HOL176ZD	LOWER HITCH PIN	2
82	TNG302ZD	LOWER HITCH BUSH - QUICK HITCH	2
83	42300001	SPRING PIN	2
84	DIV301ZD	3-POINT HITCH BUSH - QUICK HITCH	1
85	40100442	SCREW	2
86	40200017	NUT	2
87	HOL210ZD	SPACER	2
88	40300007	WASHER	4

TABELLA T04		FLAIL MOWER DISCO 145-165 USA	
ID	P/N	DESCRIPTION	Q.TY
30	URC303VD	3-POINT HITCH	2
31	DIV158VD	TIE ROD	4
34	43700012	3-POINT PIN	1
36	41300001	SPRING PIN	2
47	40200006	NUT	19
67	40100023	SCREW	18
73	40300004	WASHER	30
78	40100061	SCREW	2
80	DIV198VD	HITCH PLATE	4
81	HOL176ZD	LOWER HITCH PIN	2
82	TNG302ZD	LOWER HITCH BUSH - QUICK HITCH	2
83	42300001	SPRING PIN	2
84	DIV301ZD	3-POINT HITCH BUSH - QUICK HITCH	1
85	40100442	SCREW	2
86	40200017	NUT	2
87	HOL210ZD	SPACER	2
88	40300007	WASHER	4
91	40100048	SCREW	1